

Valve Position Indication

CPI 400 Valve Switch Visual Indicator (VI)



UL Unlisted Component

- Covered in file # MH 16727

CSA Certified Component

- Covered in file # 157406

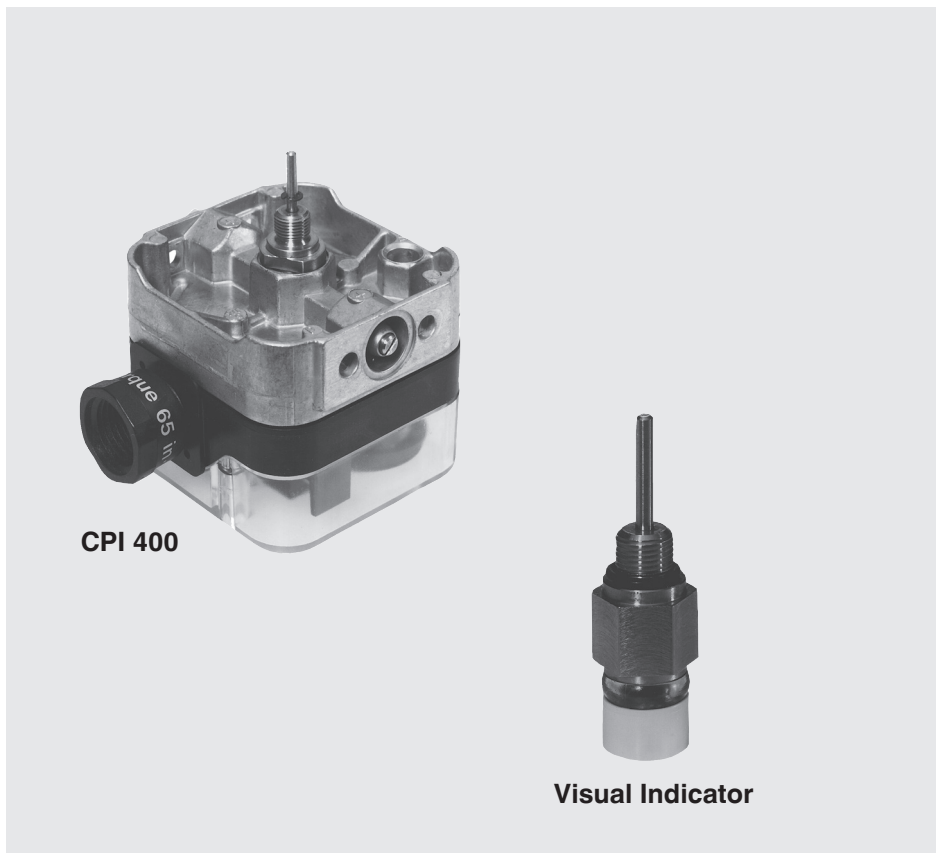
FM Approved Component

- Covered in file # J.I. 3007653

Codes and Standards

This product is intended for installations covered by but not limited to NFPA 86, ANSI Z83.4/CSA 3.7, ANSI Z83.18/CSA 4.9, ANSI Z21.13, CSD-1, UL 795, CSA B149.1, CSA B149.3 and CSA B149.6.

DUNGS is an ISO 9001 manufacturing facility.



CPI 400

Visual Indicator

Description (CPI 400)

The CPI 400 (closed position indicator) visually and electrically indicates when the valve is either open or closed. The CPI 400 mounts directly to DUNGS automatic shutoff valves and may be used as a proof of closure switch when factory set and sealed on a valve incorporating overtravel.

Description (Visual Indicator)

The Visual Indicator indicates when the valve is either open or closed. The Visual Indicator mounts directly to DUNGS automatic shutoff valves.

Application (CPI 400)

The CPI 400 is recommended for industrial and commercial heating applications that require visual and/or electrical indication of valve position on automatic

shutoff valves. The CPI 400 is suitable for dry natural gas, propane, butane, air and inert gases. Suitable for up to 0.1% by volume, dry H₂S when used with stainless steel adapter.

A “dry” gas has a dew point lower than +15°F and its relative humidity is less than 60 %.

Application (Visual Indicator)

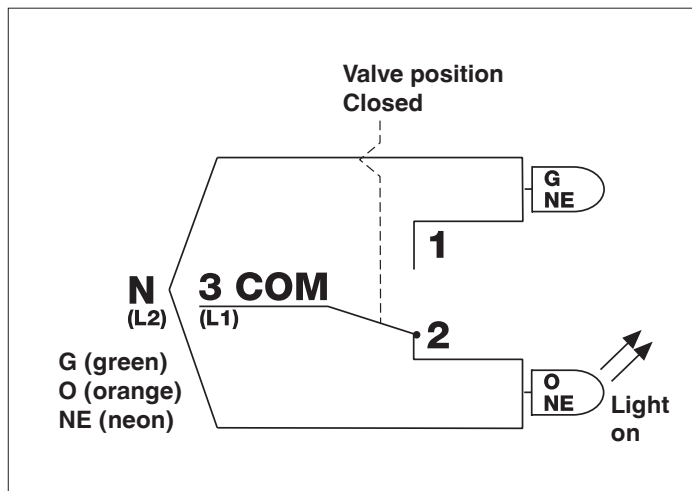
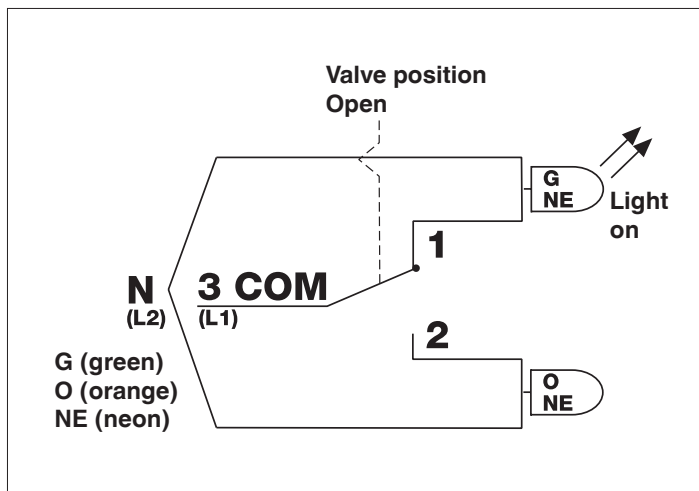
The Visual Indicator is recommended for industrial and commercial heating applications that require visual indication of valve position on automatic shutoff valves. The Visual Indicator is suitable for natural gas, propane, butane, air and inert gases. Suitable for up to 0.1% by volume, dry H₂S when used with stainless steel visual indicator.

CPI 400

SPDT closed position indicator CPI 400 valve switch visually and electrically indicates when the valve is either in the closed or open position and may be used as a proof of closure switch when factory set and sealed on a valve incorporating overtravel. Mounts directly to the SV, MVD and DMV valves. When the valve is closed, an orange light is visible. When the valve is open, a green light is visible. When the optional 24 VAC/VDC light is used, the closed valve is indicated by a red light rather than an orange light.

Specifications

Max. operating pressure	7 PSI (500 mbar)
Connection	Set screw with G 1/8" ISO 228 plunger
Temperature range	-40 °F to +150 °F (-40 °C to +65 °C)
Materials	CPI Housing: Polycarbonate Switching contact: Silver (Ag) Plunger: Brass (standard version) or stainless steel Sealing: NBR based rubber
Electrical ratings	AC eff. 120 VAC
Nominal current	AC max. 10 A resistive @ 120 VAC AC max. 8 A inductive @ 120 VAC AC max. 5 A resistive @ 230 VAC DC max. 1 A @ 12 - 48 VDC When used, the 24VDC/VAC indicator light consumes 20 mA when energized.
Electrical connection	Screw terminals via 1/2" NPT conduit connection
Enclosure rating	NEMA Type 4

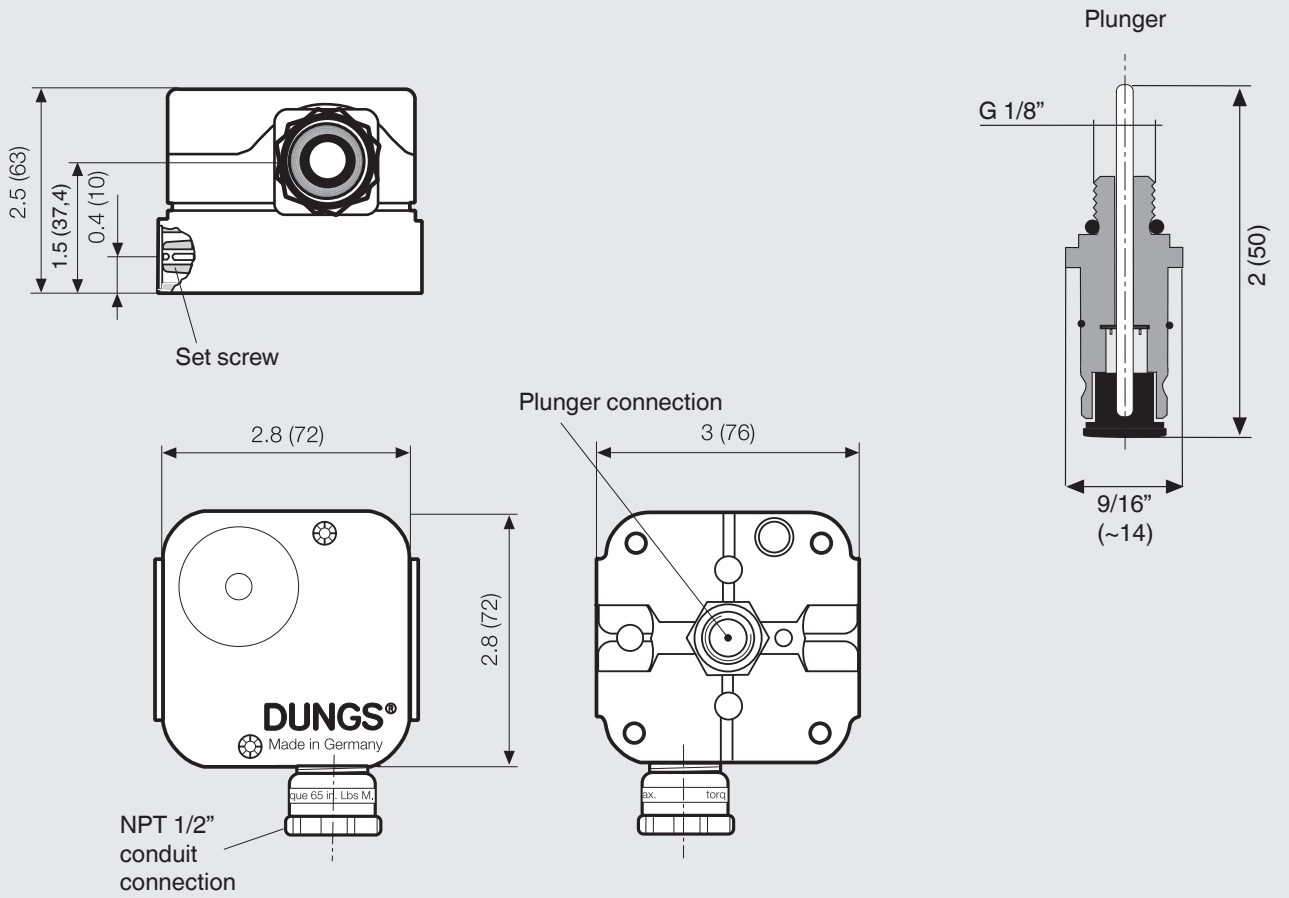
CPI 400 Switching function

Visual Indicator indicates closed and open position of the safety valve

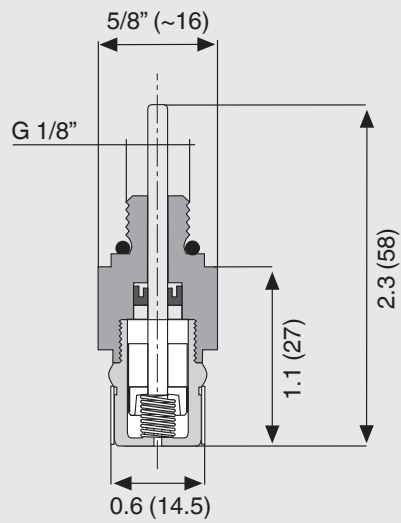
Specifications

Max. operating pressure	7 PSI (500 mbar)
Connection	G 1/8" ISO 228
Temperature range	-40 °F to +150 °F (-40 °C to +65 °C)
Materials	Brass housing (standard version) or stainless steel NBR based rubber

**Dimensions inch (mm)
CPI 400 and Brass Adapter/Plunger**



**Dimensions inch (mm)
Visual Indicator**



Valve Position Indication

CPI 400 Valve Switch Visual Indicator (VI)



Product Description and Order Numbers

Type	Order No.	Weight [lbs] [kg]
CPI 400 valve switch (standard with brass adapter)	266968	0.63 0.29
CPI 400 valve switch (with stainless steel adapter)	274058	0.90 0.40
Visual Indicator (brass)	217665	0.04 0.02
Visual Indicator (stainless steel)	273963	0.30 0.14

Accessories/Replacement Parts - CPI 400 only

Type	Order No.
Clear plastic cover with mounting screws	240837
120 VAC neon lights (orange & green)	231420
24 VDC LED lights (red & green)	248183
1/2" NPT conduit adapter (PG 11)	220566
Brass adapter (standard)	224417
Stainless steel adapter	273544
230 V neon light (green)	248239
230 V neon light (yellow)	231773

We reserve the right to make any changes in the interest of technical progress.

Karl Dungs, Inc.
3890 Pheasant Ridge Drive NE
Suite 150
Blaine, MN 55449, U.S.A.
Phone 763 582-1700
Fax 763 582-1799
e-mail info@karldungsusa.com
Internet <http://www.dungs.com/usa/>

Karl Dungs GmbH & Co. KG
P.O. Box 12 29
D-73602 Schorndorf, Germany
Phone +49 7181-804-0
Fax +49 7181-804-166
e-mail info@dungs.com
Internet <http://www.dungs.com>